

RT 740B

Product Guide



ROUGH TERRAIN HYDRAULIC CRANE

Features

- **MAX. CAPACITY (Outriggers)** - 40.0 Tonnes at 3m Radius (85% Rating) 360° Slew
- **MAX. CAPACITY (On Tyres)** - 17.35 Tonnes at 3m Radius (85% Rating) Over Front
- **BOOM** - 4 SECTION Trapezoidal 10.6m - 33.5m
- **MAX. ROAD SPEED** - 30km/hr
- **CARRIER** - 4 X 4 Wheel Drive with 4 Wheel Steer

Superstructure Specifications

BOOM

10.6m - 33.5m four section, telescopic, full power, sequence synchronized, trapezoidal boom with single lever control. Telescoping boom sections slide on adjustable & replaceable low friction wear pads.

BOOM NOSE

Four nylatron sheaves mounted on heavy duty tapered roller bearings with removable pin-type rope guards.

Maximum Tip Height: 35.9m

BOOM ELEVATION

One double acting hydraulic cylinder with integral holding valve.

BOOM ANGLE

Maximum: 78°, Minimum: -3°.

SUPERSTRUCTURE FRAME

Fabricated from high tensile steel plates and sections.

SLEW SYSTEM

Ball bearing swing circle with 360° continuous rotation. Planetary "Glide-Swing" with foot applied multi-disc brake. Spring applied hydraulically released parking brake, mechanical house lock operated from cab. Free slew facility provided.

SLEW SPEED

Maximum 2.0 RPM (Unladen).

HOIST SYSTEM

Power up and down equal speed, grooved drum, planetary reduction with automatic spring applied multi-disc brake. Hoist drum fitted with third wrap indicator.

Non Spin Hoist Rope: 19mm dia. & length 152m.

Line Speed: Top layer 105m/min (Max) Unladen.

Maximum Permissible Line Pull: 5500Kg.

HOOK BLOCK

40.0 Tonnes; 4 Sheaves - 8 falls.

COUNTERWEIGHT

Integral with superstructure. Weight - 3485kg.

OPERATOR'S CAB

Totally enclosed steel construction, full vision type cab with all crane functions control levers, driving controls, engine instrumentation & automotive type steering wheel. All windows fitted with toughened safety glass, lockable sliding door, cab interior light, circulating air fan, pantograph type electric wiper & electric horn.

LMI & A2B SYSTEM

Load Moment Indicator and Anti-Two Block system with audio-visual warning and control lever lock-out provides electronic display of boom angle, boom length, radius, relative load moment, maximum permissible load, load indication and warning of impending two-block condition.

HYDRAULIC SYSTEM

Pumps

Two Section Gear pump driven through engine PTO.

Two Section Gear pump driven through transmission PTO.

Valves

Precision 4 way double acting pilot operated control valves. 3 Individual valve banks permit simultaneous control of multiple crane functions.

Filters

Return line filter with replaceable cartridge having full flow with by-pass protection and service indicator.

Reservoir

378 liters with spin-on breather filter, external sight gauge, oil temperature gauge, clean out access, strap mounted to frame.

Pressure Check Panel

System pressure test panel with quick release type fittings for each circuit.

OPTIONAL EQUIPMENT

Fixed Swingaway Extension

9.8m lattice Swingaway boom extension with integral offset mechanism, off settable at 0°, 15° or 30°. Stows alongside base boom section when not in use.

Maximum tip height: 45.4m

Telescopic Swingaway Extension

9.8m to 13.4m or 17.1m telescopic lattice swingaway extension with integral offset mechanism, off settable at 0°, 15° or 30°. Stows alongside base boom section when not in use.

Maximum tip height: 52.7m

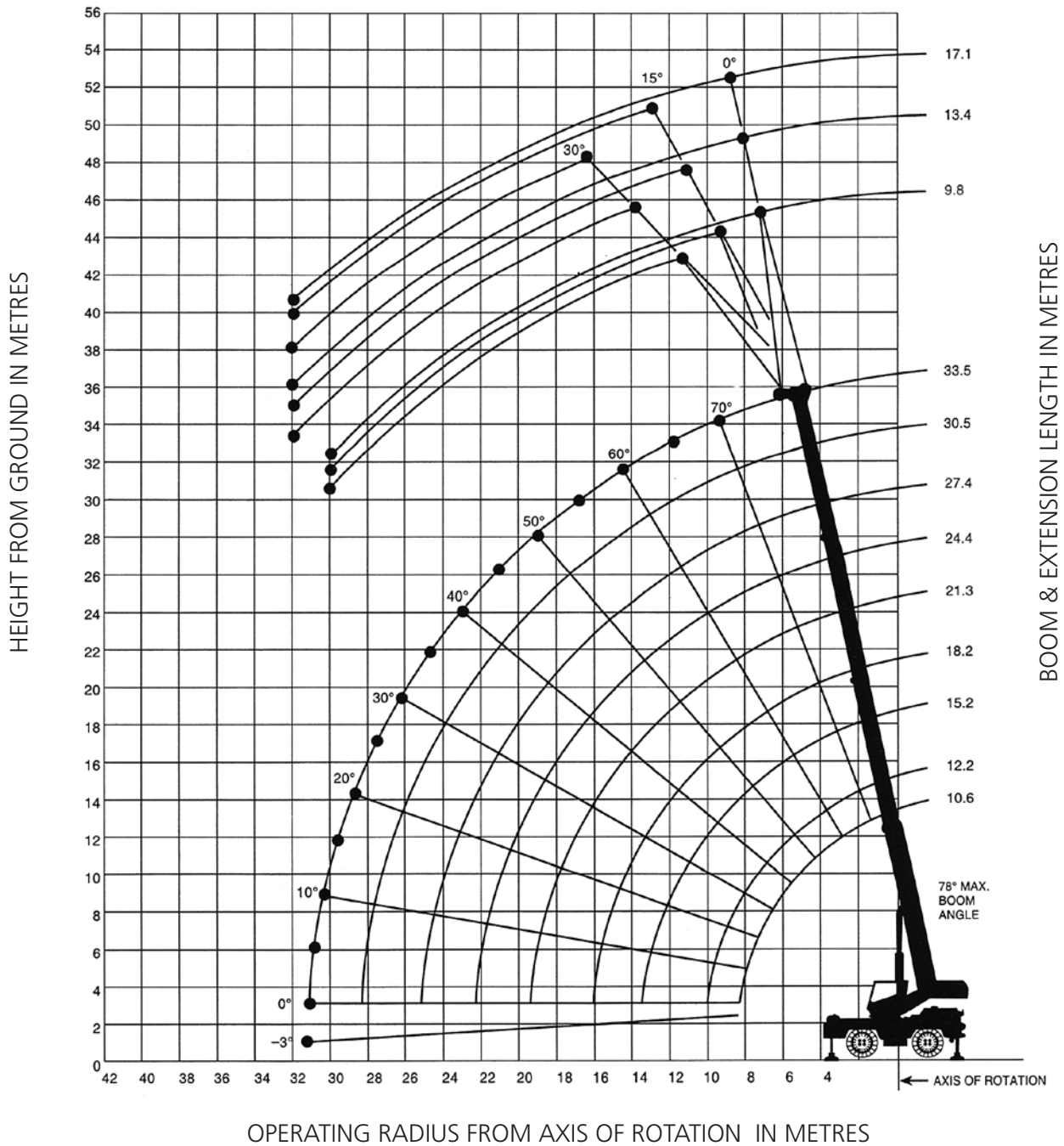
Auxiliary Hoist

AC Cabin

Protective Super Cab

Height of Lift : 10.6m - 33.5 Full Power Boom

WORKING RANGE DIAGRAM
(BOOM DEFLECTION NOT SHOWN)



NOTE:
The above heights of lift and boom angles are based on a straight (unladen) boom and allowance should be made for boom deflections obtained under laden conditions.

Hookblock Capacities - Tonnes

No. of fall	8	7	6	5	4	3	2	1
Permissible Load	40.0	34.0	28.0	23.0	18.0	14.0	10.0	5.0

RT 740B

Metric 85% Lifting Capacities (Kilograms) on Outriggers Fully Extended - 4 Section Boom

Main Boom - On Outriggers Fully Extended - 360°

Radius in Meters (m)	Main Boom Length in Meters								
	10.6	12.2	15.2	*18.2	21.3	24.4	27.4	30.5	33.5
3	40,000 (66)	30,825 (69.5)	26,350 (74)						
3.5	31,875 (63)	29,050 (67)	24,850 (72)	20,250 (76.6)					
4	28,275 (60)	27,025 (64.5)	23,975 (70)	19,750 (73.5)					
4.5	25,900 (56.5)	25,000 (61.5)	22,075 (68)	18,975 (72)	16,125 (75)	14,950 (77)			
5	23,900 (53)	23,125 (58.5)	20,325 (66)	17,900 (70.5)	15,500 (73.5)	14,300 (76)			
6	20,275 (45)	20,000 (52.5)	18,050 (61.5)	15,425 (67)	13,975 (70.5)	12,825 (73.5)	11,550 (75.5)	10,025 (77.5)	
7	17,050 (36)	16,650 (46)	16,000 (57)	13,500 (63.5)	12,375 (67.5)	11,500 (71)	10,550 (73.5)	9,630 (75.5)	8,390 (77.5)
8	14,100 (23)	14,100 (38.5)	13,800 (52)	12,025 (59.5)	10,900 (64.5)	10,375 (68.5)	9,635 (71.5)	8,960 (73.5)	8,065 (75.5)
9		12,250 (29)	11,800 (47)	10,725 (56)	9,700 (61.5)	9,390 (66)	8,865 (69)	8,085 (71.5)	7,250 (73.5)
10			10,175 (41)	9,680 (51.5)	8,710 (58.5)	8,455 (63)	8,010 (66.5)	7,285 (69.5)	6,570 (72)
12			7,480 (26)	7,465 (42.5)	7,160 (51.5)	6,950 (57.5)	6,510 (62)	6,040 (65.5)	5,530 (68)
14				5,315 (31.5)	5,670 (44)	5,720 (51.5)	5,445 (57)	5,060 (61)	4,705 (64.5)
16					4,210 (35)	4,410 (46)	4,535 (51.5)	4,255 (56.5)	4,050 (60.5)
18					3,145 (22.5)	3,370 (37.5)	3,705 (46)	3,635 (51.5)	3,435 (56)
20						2,580 (28)	2,800 (39)	3,020 (46.5)	2,945 (51.5)
22							2,095 (31.5)	2,320 (40.5)	2,505 (47)
24							1,530 (21)	1,750 (34)	1,965 (42)
26								1,285 (25.5)	1,515 (36)
28								890 (12)	1,140 (29)
30									825 (19.5)
Minimum boom angle (deg.) for indicated length (no load)									0
Maximum boom length (m) at 0 deg. boom angle (no load)									33.5

Note : () Boom angles are in degrees.

*18.2 m boom length is with inner-mid extended and outer-mid & fly retracted.

Weight Reductions for Load Handling Devices. (Approx.)

9.8m Boom Extension	
*Stowed	304 kg
*Erected	1882 kg

9.8m - 17.1m Boom Extension	
*Stowed	384 kg
*Erected	2,889 kg
*Erected Extended	3,759 kg

*Reduction of main boom capacities

Hookblocks and Headache Balls	
40MT, 4 Sheave	500 kg
Auxiliary Boom Head	65 Kg
10MT Headach Ball	254 Kg

Note: MT refers to metric tonne

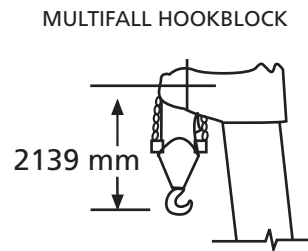
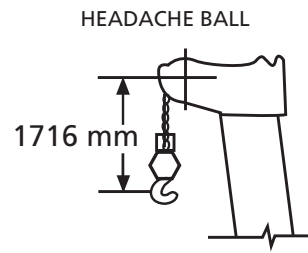
RT 740B

Metric 85% Lifting Capacities (Kilograms) on Outriggers Fully Extended - 4 Section Boom

9.8m Swingaway - 360°

Radius in Meters (m)	0° Offset		15° Offset		30° Offset	
	Boom Angle (Deg.)	Cap Kg.	Boom Angle (Deg.)	Cap Kg.	Boom Angle (Deg.)	Cap Kg.
9	78.0	*4,030				
10	76.5	3,930	78.0	*3,350		
12	74.0	3,650	76.0	3,190	78.0	*2,805
14	71.0	3,350	73.0	2,950	75.5	2,610
16	68.0	3,045	70.5	2,715	72.5	2,335
18	65.0	2,720	67.5	2,500	69.5	2,185
20	62.0	2,345	64.0	2,300	66.5	2,090
22	58.5	2,000	61.0	2,000	63.5	2,000
24	55.5	1,715	58.0	1,715	60.0	1,715
26	52.0	1,325	54.5	1,325	56.5	1,325
28	48.0	985	50.5	985	53.0	985
30	44.5	690	47.0	690	49.0	690

* This capacity is based upon the maximum boom angle.



Dimensions are for largest furnished hook block and headache ball with anti-two block activated.

9.8 m - 17.1 m Tele. Swingaway - 360°

Radius in Meters (m)	9.8m Length						13.4m Length						17.1m Length						
	0° Offset		15° Offset		30° Offset		0° Offset		15° Offset		30° Offset		0° Offset		15° Offset		30° Offset		
	Boom Angle (Deg.)	Cap Kg.	Boom Angle (Deg.)	Cap Kg.	Boom Angle (Deg.)	Cap Kg.	Boom Angle (Deg.)	Cap Kg.	Boom Angle (Deg.)	Cap Kg.	Boom Angle (Deg.)	Cap Kg.	Boom Angle (Deg.)	Cap Kg.	Boom Angle (Deg.)	Cap Kg.	Boom Angle (Deg.)	Cap Kg.	
9	78.0	*3,855	0				78.0	*2,310											
3.5	76.5	3,755	78.0	*3,175			77.5	2,305											
12	74.0	3,475	76.0	3,015	78.0	*2,630	75.0	2,270	78.0	*1,950			76.5	1,810					
14	71.0	3,175	73.0	2,775	75.5	2,435	72.5	2,210	76.0	1,935	78.0	*1,495	74.5	1,770	78.0	*1,500			
16	68.0	2,870	70.5	2,540	72.5	2,160	70.0	2,110	73.5	1,820	76.0	1,470	72.5	1,725	76.0	1,450			
18	65.0	2,545	67.5	2,325	69.5	2,010	67.0	1,970	71.0	1,715	73.5	1,415	69.5	1,685	73.5	1,335	78.0	*1,040	
20	62.0	2,170	64.0	2,125	66.5	1,915	64.5	1,805	68.0	1,610	70.5	1,355	67.5	1,635	71.5	1,240	75.0	990	
22	58.5	1,825	61.0	1,825	63.5	1,825	61.5	1,620	65.5	1,500	68.0	1,295	65.0	1,555	69.0	1,160	72.5	935	
24	55.5	1,540	58.0	1,540	60.0	1,540	58.5	1,435	62.5	1,380	65.0	1,235	62.5	1,405	66.5	1,095	70.0	890	
26	52.0	1,150	54.5	1,150	56.5	1,150	55.5	1,260	59.5	1,260	62.0	1,175	60.0	1,125	63.5	1,040	67.0	850	
28	48.0	810	50.5	810	53.0	810	52.5	1,045	56.5	1,045	58.5	1,045	57.0	850	61.0	850	64.5	810	
30	44.5	515	47.0	515	49.0	515	49.0	755	53.5	755	55.5	755	54.5	615	58.0	615	61.5	615	
32							46.0	500	50.0	500	51.5	500	51.5	385	55.0	385	58.5	385	

* This capacity is based upon the maximum boom angle.

Lifting Capacities on Rubber - 4 Section Boom

On Rubber 18.00 x 25-32 PR (Stationary Capacities - 360°)

Radius in Meters (m)	Tyre Inflation Pr. 8.1 kg/cm ²							
	Main Boom Length in Meters							
	10.6	12.2	15.2	*18.2	21.3	24.4	27.4	30.5
3	14,900 (66)	14,100 (69.5)	10,050 (74)					
3.5	13,000 (63)	12,400 (67)	8,955 (72)	8,300 (75.5)				
4	11,250 (60)	10,950 (64.5)	8,010 (70)	7,800 (73.5)				
4.5	9,845 (56.5)	9,810 (61.5)	7,340 (68)	7,120 (72)				
5	8,670 (53)	8,670 (58.5)	6,795 (66)	6,555 (70.5)				
6	6,835 (45)	6,765 (52.5)	5,900 (61.6)	5,735 (67)	4,750 (70.5)	2,800 (73.5)		
7	5,235 (36)	5,045 (46)	4,840 (57)	4,525 (63.5)	3,990 (67.5)	2,800 (71)		
8	4,020 (23)	3,810 (38.5)	3,605 (52)	3,370 (59.5)	3,300 (64.5)	2,800 (68.5)	2,050 (71.5)	920 (73.5)
9		2,895 (29)	2,680 (47)	2,430 (56)	2,635 (61.5)	2,435 (66)	2,050 (69)	920 (71.5)
10		2,190 (11.5)	1,965 (41)	1,730 (51.5)	2,180 (58.5)	2,055 (63)	2,040 (66.5)	920 (69.5)
12			930 (26)	730 (42.5)	1,005 (51.5)	1,005 (57.5)	820 (62)	820 (65.5)

Note : () Boom angles are in degrees.

*18.2 m boom length is with inner-mid extended and outer-mid & fly retracted.

Lifting Capacities on Rubber - 4 Section Boom

On Rubber 18.00 x 25-32 PR (Stationary - Defined Arc Over Front)

Radius in Meters (m)	Tyre Inflation Pr. 8.1 kg/cm ²							
	Main Boom Length in Meters							
	10.6	12.2	15.2	*18.2	21.3	24.4	27.4	30.5
3	16,925 (66)	14,100 (69.5)	10,050 (74)					
3.5	15,325 (63)	12,400 (67)	9,295 (72)	8,300 (75.5)				
4	13,850 (60)	11,125 (64.5)	8,695 (70)	8,005 (73.5)				
4.5	12,625 (56.5)	10,500 (61.5)	8,340 (68)	7,720 (72)				
5	11,600 (53)	10,075 (58.5)	8,090 (66)	7,215 (70.5)				
6	9,920 (45)	9,465 (52.5)	7,720 (61.6)	6,205 (67)	5,215 (70.5)	4,710 (73.5)		
7	8,630 (36)	8,360 (46)	6,735 (57)	5,460 (63.5)	4,835 (67.5)	4,360 (71)		
8	7,605 (23)	7,405 (38.5)	5,875 (52)	4,955 (59.5)	4,535 (64.5)	4,105 (68.5)	3,555 (71.5)	2,865 (73.5)
9		6,305 (29)	5,250 (47)	4,585 (56)	4,250 (61.5)	3,885 (66)	3,355 (69)	2,695 (71.5)
10		5,030 (11.5)	4,670 (41)	4,305 (51.5)	4,050 (58.5)	3,675 (63)	3,195 (66.5)	2,590 (69.5)
12			3,170 (26)	3,045 (42.5)	3,210 (51.5)	3,210 (57.5)	2,965 (62)	2,420 (65.5)
14				1,940 (31.5)	1,995 (44)	1,995 (51.5)	1,995 (57)	1,995 (61)
16				1,125 (11)	1,125 (35)	1,125 (45)	1,125 (51.5)	1,125 (56.5)
18					715 (22.5)	715 (37.5)	715 (46)	715 (51.5)

Note : () Boom angles are in degrees.

*18.2 m boom length is with inner-mid extended and outer-mid & fly retracted.

Lifting Capacities on Rubber - 4 Section Boom

On Rubber 18.00 x 25-32 PR (Pick & Carry Capacities upto 4.0 KPH - Boom Centered Over Front)

Radius in Meters (m)	Tyre Inflation Pr. 8.1 kg/cm ²						
	Main Boom Length in Meters						
	10.6	12.2	15.2	*18.2	21.3	24.4	27.4
3	17,350 (66)	14,250 (69.5)					
3.5	15,600 (63)	13,400 (67)	12,825 (72)				
4	13,950 (60)	12,750 (64.5)	12,075 (70)				
4.5	12,575 (56.5)	12,550 (61.5)	11,425 (68)	10,450 (72)			
5	11,425 (53)	11,425 (58.5)	10,850 (66)	9,545 (70.5)			
6	10,000 (45)	9,580 (52.5)	9,455 (61.6)	7,980 (67)	6,330 (70.5)		
7	8,000 (36)	8,000 (46)	7,890 (57)	6,730 (63.5)	5,435 (67.5)		
8	6,820 (23)	6,770 (38.5)	6,740 (52)	5,710 (59.5)	4,755 (64.5)	4,755 (68.5)	4,485 (71.5)
9		5,780 (29)	5,705 (47)	4,900 (56)	4,275 (61.5)	4,275 (66)	4,250 (69)
10		4,900 (11.5)	4,785 (41)	4,400 (51.5)	3,920 (58.5)	3,920 (63)	3,920 (66.5)
12			3,170 (26)	3,045 (42.5)	3,210 (51.5)	3,210 (57.5)	3,210 (62)
14				2,000 (31.5)	1,995 (44)	1,995 (51.5)	1,995 (57)
16				1,125 (11)	1,125 (35)	1,125 (45)	1,125 (51.5)
18					715 (22.5)	715 (37.5)	715 (46)

Note : () Boom angles are in degrees.

*18.2 m boom length is with inner-mid extended and outer-mid & fly retracted.

Notes

Notes for Lifting Capacities

WARNING: THIS CHART IS ONLY A GUIDE. The Notes below are for illustration only and should not be relied upon to operate the crane. The individual crane's load chart, operating instructions and other Instruction plates must be read and understood prior to operating the crane.

1. Capacities are in accordance with SAE J1063 and do not exceed 85% of the tipping load as determined by SAE J765.
2. The weight of hookblock, slings and all similarly used load handling devices must be added to the weight of the load. When more than minimum required reeving is used, the additional rope weight shall be considered part of the load.
3. Capacities appearing above the bold line are based on structural strength and tipping should not be relied upon as a capacity limitation.
4. All capacities are for crane on firm, level surface. It may be necessary to have structural supports under the outrigger floats or tyres to spread the load, to a larger bearing surface.
5. When either boom length or radius or both are between values listed, the smallest load shown at either the next larger radius or boom length shall be used.
6. On rubber lifting with 800m extensions not permitted.
7. Tyres shall be inflated to the recommended pressure before lifting on rubber. Capacities must be reduced for lower tyre inflation.
8. If machine is equipped with individually controlled powered boom sections, the boom sections must be extended equally at all times.
9. Defined Arc $\pm 6^\circ$ on either side of longitudinal centerline of machine.
10. For Pick & Carry operation, boom must be centered over front of machine, mechanical swing lock engaged and load restrained from swinging. When handling loads in the structural range with capacities close to max. rating, travel should be reduced to creep speeds (not over 61 m of movement in 30 min, not exceeding 1.6 KPH).
11. Axle lockouts must be functioning before lifting on rubber.
12. 9.8 m Fixed offsettable boom extension warning: For main boom length greater than 24.4 m with 9.8m tele, boom extension in working position, the boom angle must not be less than 40° since loss of stability will occur causing a tipping condition.
13. 9.8 m - 17.1 m tele, offsettable boom extension warning: For main boom length greater than 24.4 m with 9.8 m - 17.1m tele, boom extension in working position, the boom angle must not be less than 40° since loss of stability will occur causing a tipping condition.
14. Radii listed are for a fully extended boom with the boom extension erected. For main boom length less than fully extended, the rated loads are determined by boom angle. Use only the column which corresponds to the boom extension length and offset for which the machine is configured. For boom angles not shown, use the rating of the next lower boom angle.

WARNING: Operation of the machine with heavier load than the capacities listed is strictly prohibited. Machine tipping occurs without advance warning.

No Load Stability on Rubber

	No load Stability Data	Main Boom 33.5m
Front (No load)	Min. boom angle (deg.) for indicated length Max. boom length (m) at 0° boom angle	40 21.3
360° (No load)	Min. boom angle (deg.) for indicated length Max. boom length (m) at 0° boom angle	55 15.2

Carrier Specification

FRAME

High strength alloy steel welded box section with integral outrigger housings and front/rear lifting, towing and tie down lugs.

OUTRIGGER SYSTEM

4 hydraulically telescoping beams with 'Inverted' jacks with integral holding valves positioned two nos. in each outrigger housing. Provides steel fabricated quick release type outrigger float for each jack.

OUTRIGGER CONTROLS

Independent control of each outrigger beam located in cab on front dash panel along with level indicator.

ENGINE

Cummins B5.9 173 C31, 173 HP @ 2500 RPM,
Max. Torque - 660 Nm @ 1500 RPM,
Emission : BS III CEV

FUEL TANK

Capacity 227 liters.

ELECTRICAL SYSTEM

Two 12 Volt-batteries, 24 Volt lighting equipment including two headlights, side, tail and stop lights and flashing direction indicators.

DRIVE

4x4 / 4x2

STEERING

Fully independent power steering:

Front: Full hydraulic controlled by steering wheel.

Rear: Full hydraulic selector switch controlled.

Provides infinite variations of 4 main steering modes - front only, rear only, crab and coordinated. Rear wheel steer indicator. Auto - reversal steering mechanism.

TRANSMISSION

Engine mounted full power shift with 6 forward and 3 reverse speeds. Provides front axle disconnect for 4 x 2 travel.

AXLES

Front: Drive-steer with differential and planetary reduction hubs rigidly mounted to the chassis frame.

Rear: Drive-steer with differential and planetary reduction hubs, pivot mounted at centre of the chassis frame.

OSCILLATION LOCKOUTS

Automatic full hydraulic lockouts on rear axle permit oscillation only with boom centered over front.

TYRES

18.00 X 25 - 32 PR earthmover tyres.

BRAKES

Fully hydraulic, split circuit operating on all wheels. Spring applied, hydraulically released front axle mounted parking brake.

INSTRUMENTATION

Engine oil pressure gauge, Fuel gauge, Water temperature gauge, Voltmeter, Tacho-Hourmeter, Indicators and Switches for control.

OIL COOLER

Remote mounted with thermostatically controlled, electric motor driven fan.

MAXIMUM SPEED

30 kmph.

GRADEABILITY

45% (Maximum) Unladen.

GROSS VEHICLE WEIGHT AND AXLE LOADS (approx)

Front: 15,040 kg

Rear: 14,630 kg

GVW: 29,670 kg

Optional Weights (approx.)

Fixed Lattice : 1000 kg

Tele lattice : 1300 kg

Auxiliary Hoist : 700 kg

Man Carrying Basket : 550 kg

MISCELLANEOUS STANDARD EQUIPMENT

Full width steel fenders, rear view mirror, back-up alarm, front stowage well, tool kit.

OPTIONAL EQUIPMENT

Fire suppression system

Fire extinguisher

Centralized Lubrication System

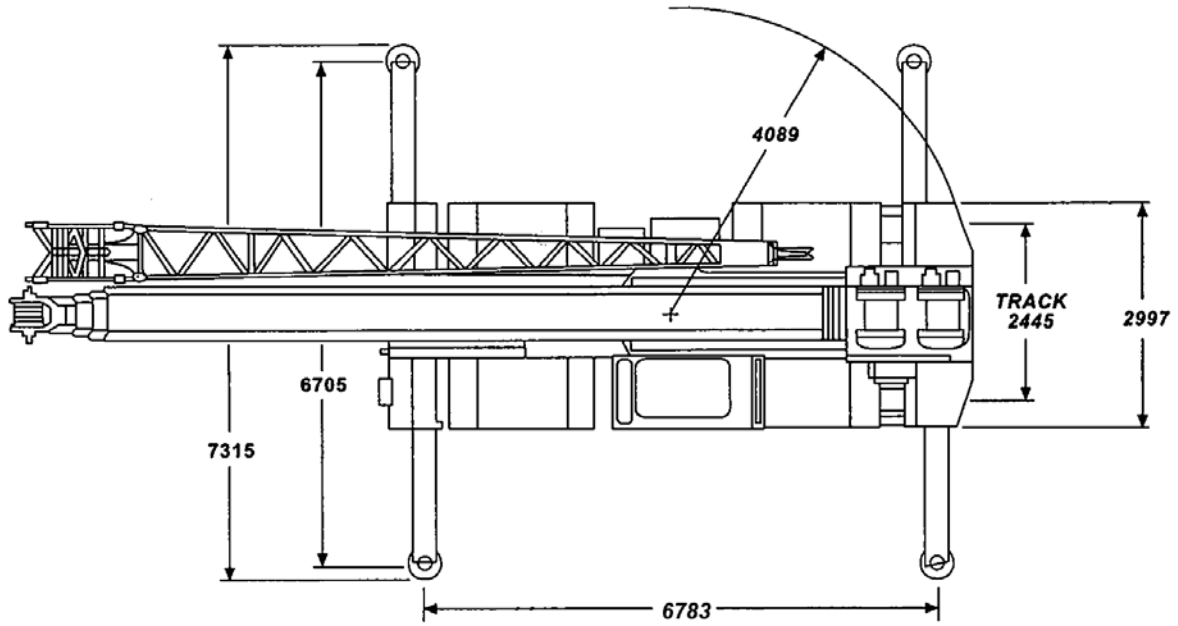
Tow hook on chassis frame

Man Carrying Basket

360° Beacon lights

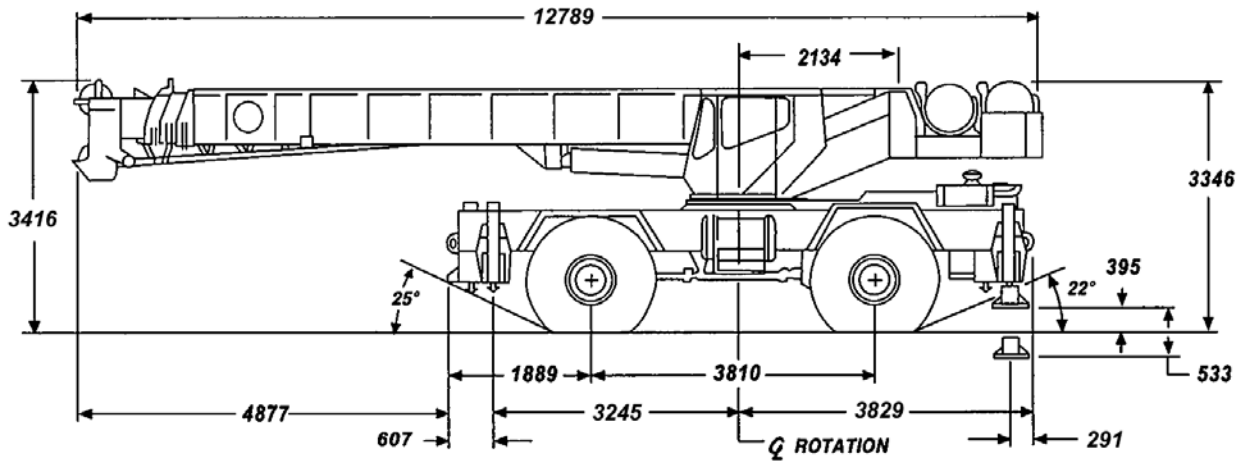
Cab Spot Light

GA Drawing



Turning Radius

- 2 Wheel Steer : 10,739
- 4 Wheel Steer : 6,099



Dimensions in mm

Constant improvement and engineering progress make it necessary that we reserve the right to make specification, equipment and price changes without notice. The photographs/drawings in this document are just for illustrative purpose which may include optional equipment and accessories, which can be provided at an additional cost on request.

TIL Limited

CIN: L74999WB1974PLC041725

Registered & Corporate Office:

1, Taratolla Road, Garden Reach, Kolkata - 700024
Phone: + 91 33 2469 3732-6 / 6497 | 6633 2000 / 2845
Fax: + 91 33 2469 2143 / 3731
Email: Mhg.Er@tilindia.com | mktg-til@tilindia.com



CHENNAI

TIL Limited
Jhaver Plaza, 7th Floor 1-A
Nungambakkam High Road
Chennai 600 034, Tamil Nadu
Phone: +91 044 6670 3000 / 3010
Fax: +91 44 2827 9681
Email: chennai.til@tilindia.com

DELHI NCR

Plot 11, Site No.IV
Sahibabad Industrial Area
Ghaziabad 201 010 U.P.
Phone: +91 120 277 8735 / 8736 / 7468
Fax: +91 120 277 7467
Email: MHGMarketing.Sahibabad@tilindia.com | mhscs.Sahibabad@tilindia.com

DELHI

TIL Limited
302 Ansal Bhawan
16, Kasturba Gandhi Marg, New Delhi 110 001
Phone: +91 11 2331 1607 / 8046 / 9248 | 2335 0250 / 0255
Fax: +91 11 2331 3263
Email: til.delhi@tilindia.com

KAMARHATTY

TIL Limited
517, Barrackpore Trunk Road
Kolkata 700 058
Phone: +91 33 2553 1352 / 1882 | 6633 4000
Fax: +91 33 2553 2546 / 5971
Email: MktDept.KMT@tilindia.com | til.kmt@tilindia.com

KHARAGPUR

TIL Limited
Vill. & P.O. Changual, Kharagpur
Dist: Paschim Medinipur 721 301, West Bengal
Phone: +91 32 2266 1101

MUMBAI

TIL Limited
502 - A, 5th Floor, Western Edge Tower No.1
Western Express Highway, Datta Pada Road
Borivali (East), Mumbai 400 066, Maharashtra
Tel: 91 022 6147 9159 / 9135 / 9143 / 9133 / 9137
Mobile: +91 90043 88002 | 99301 11962 | 98926 79925 | 88509 71609
Fax: 91 22 6147 9111
Email: Mumbai.TIL@tilindia.com | Mumbai.Custsupp@tilindia.com

TIL has a pan-India network of offices with service engineers located in the close proximity of jobsites.

Toll Free No: **1800 266 1535**

www.tilindia.in

Technical Specification TIL/RT740B/1117. This cancels Technical Specification TIL/RT740B/0416