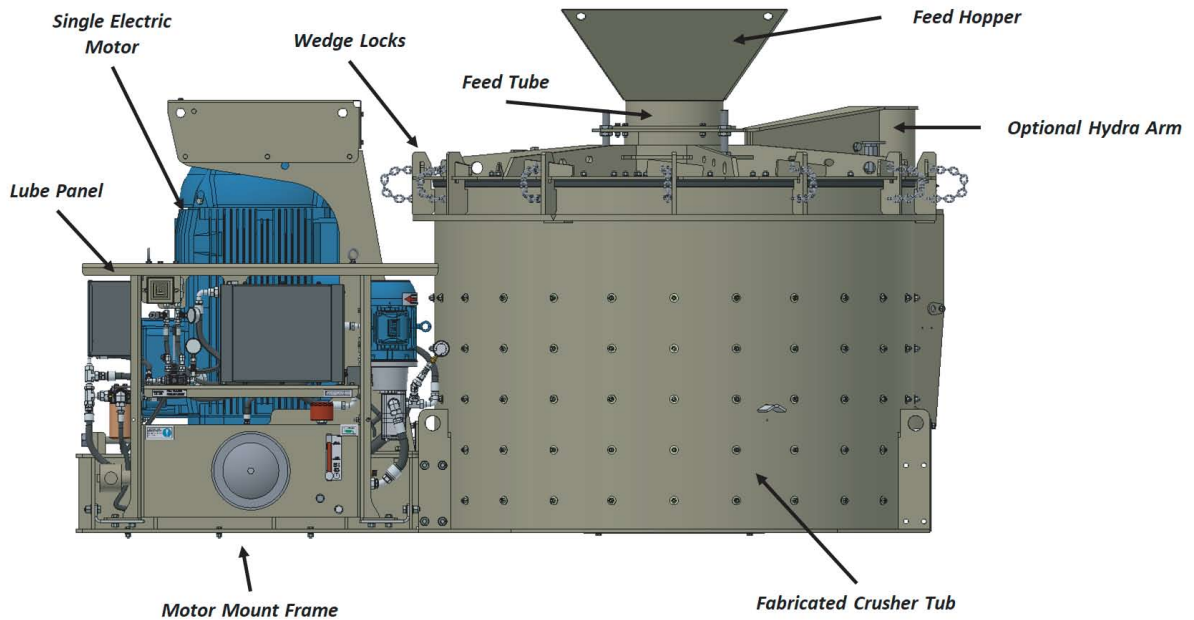


2500EV

Vertical Shaft Impactor



Main Frame & Tub

- Fabricated steel plate
- Bolt on liners
- Vibration monitor

Feed Mechanism

- Fabricated feed hopper
- Externally adjustable feed tube
- Replaceable / reversible feed tube

Lid

- Fabricated steel plate with hinged access door
- Bolt on liners
- Wedge lock lid retention system

Pedestal Assembly

- Fabricated stress relieved housing
- Heavy-duty tapered roller bearings
- SAE 4150 steel shaft
- Massive flywheel for accelerator mounting

Accelerator

- 3 port rotor with drop in replaceable carbides
- 3, 4, or 5 shoe tables
- Rotor and shoe tables are interchangeable
- Bolt-on replaceable liners

Impact Area

- Hybrid rock shelf and cluster ring are interchangeable
- Replaceable anvils

Lube System

- Pedestal lubrication system, 5hp electric pump
- Gravity flow low pressure system
- Oil pressure and flow alarms
- Oil cooler

Options

- Electric or diesel power unit
- Hydra-Arm Lid Removal System
- Lube oil tank heater
- Standard / Hardpart configuration
- Semi-Autogenous configuration
- Autogenous configuration
- Optional feed tube diameters

Configuration	Material Type	Impeller Shoes/ Rotor Ports
Standard Shoe and Anvil	Non-Abrasive	4 or 5
Rotor and Anvil	Abrasive	3
Rotor and Shelf	Abrasive	3

Physical and Operating Characteristics

Dimension	Standard	Metric
VSI Feed Opening Diameter	11 3/8 in	290mm
Max Feed Size Hardpart**	3in	75mm
Max Feed Size Autogenous	2in	51mm
Explosion Chamber	10,120in ³	165,837cm ³
Accelerator RPM	840-1400	840-1400
Recommended Power Diesel	350hp	260kW
Recommended Power Electric Single	250hp	186kW

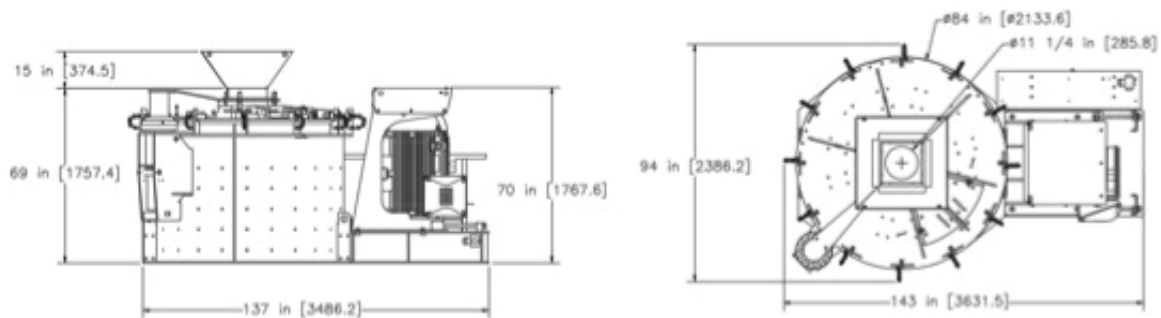
2500-EV

Dimension	Standard	Metric
Standard (Hard) Weight	18,000lb	8,165kg
Semi-Autogenous Weight	18,599lb	8,391kg
Autogenous Weight	19,000lb	8,618kg

Dimension	Standard	Metric
Recommended Power Electric Twin	150hp each	112kW each
Standard (Hard) Weight	18,600lb	8,437kg
Semi-Autogenous Weight	19,100lb	8,664kg
Autogenous Weight	19,600lb	8,890kg
Operating* Length	192in	4,877mm
Operating* Width	94in	2,395mm
Operating* Height	84in	2,127mm
<i>*Operating envelope based on closed crusher</i>		
Service* Length	192in	4,877mm
Service* Width	168in	4,280mm
Service* Height	98in	2,488mm
<i>*Service envelope based on open crusher</i>		

**5 shoe tables limited to 2in (51mm) feed.

VSI ships as a containerized unit.



2500-EV VSI Operating Envelope (Closed)

Dimension	Standard	Metric
Length	143in	3632mm
Width	94in	2386mm
Height	84in	2132mm

2500-EV VSI Operating Envelope (Open)

Dimension	Standard	Metric
Length	152in	3851mm
Width	168in	4276mm
Height	98in	2488mm

Our Complete Range of Vertical Shaft Impact Crushers

Model	Feed Tube Diameter (in / mm)	Weight (lbs / kg)	Capacity Up To (tph / mpth)
1500	8.5 / 216	13,200 / 6,000	150 / 136
2500	11.4 / 290	18,000 / 8,182	300 / 272
82	14 / 356	24,000 / 11,000	400 / 363
4500	16 / 406	29,600 / 13,320	500 / 453
120	18 / 457	32,100 / 14,595	500 / 453

NOTE: CONSULT FACTORY FOR EXACT DIMENSIONS, specifications are subject to change without notice.

Because Kolberg-Pioneer, Inc., Johnson Crushers International, Inc. and Astec Mobile Screens, Inc. may use in their catalog and literature, field photographs of their products which may have been modified by the owners, products furnished by Kolberg-Pioneer, Inc., Johnson Crushers International, Inc. and Astec Mobile Screens, Inc. are subject to the provisions of their standard warranty. Kolberg-Pioneer, Inc., Johnson Crushers International, Inc. and Astec Mobile Screens, Inc. do not warrant or represent that their products meet any federal, state, or local statutes, codes, ordinances, rules, standards or other regulations, including OSHA and MSHA, covering safety, pollution, electrical wiring, etc. Compliance with these statutes and regulations is the responsibility of the user and will be dependent upon the area and the use to which the product is put by the user. In some photographs, guards may have been removed for illustrative purposes only. This equipment should not be operated without all guards attached in their normal position. Placement of guards and other safety equipment is often dependent upon the area and how the product is used. A safety study should be made by the user of the application, and, if required additional guards, warning signs and other safety devices should be installed by the user, wherever appropriate before operating the products.

TIL Limited

CIN: L74999WB1974PLC041725

Registered & Corporate Office:

1, Taratolla Road, Garden Reach, Kolkata - 700024

Phone: + 91 33 2469 3732-6 / 6497 | 6633 2000 / 2845

Fax: + 91 33 2469 2143 / 3731

Email: Mhg.Er@tilindia.com | mktg-til@tilindia.com